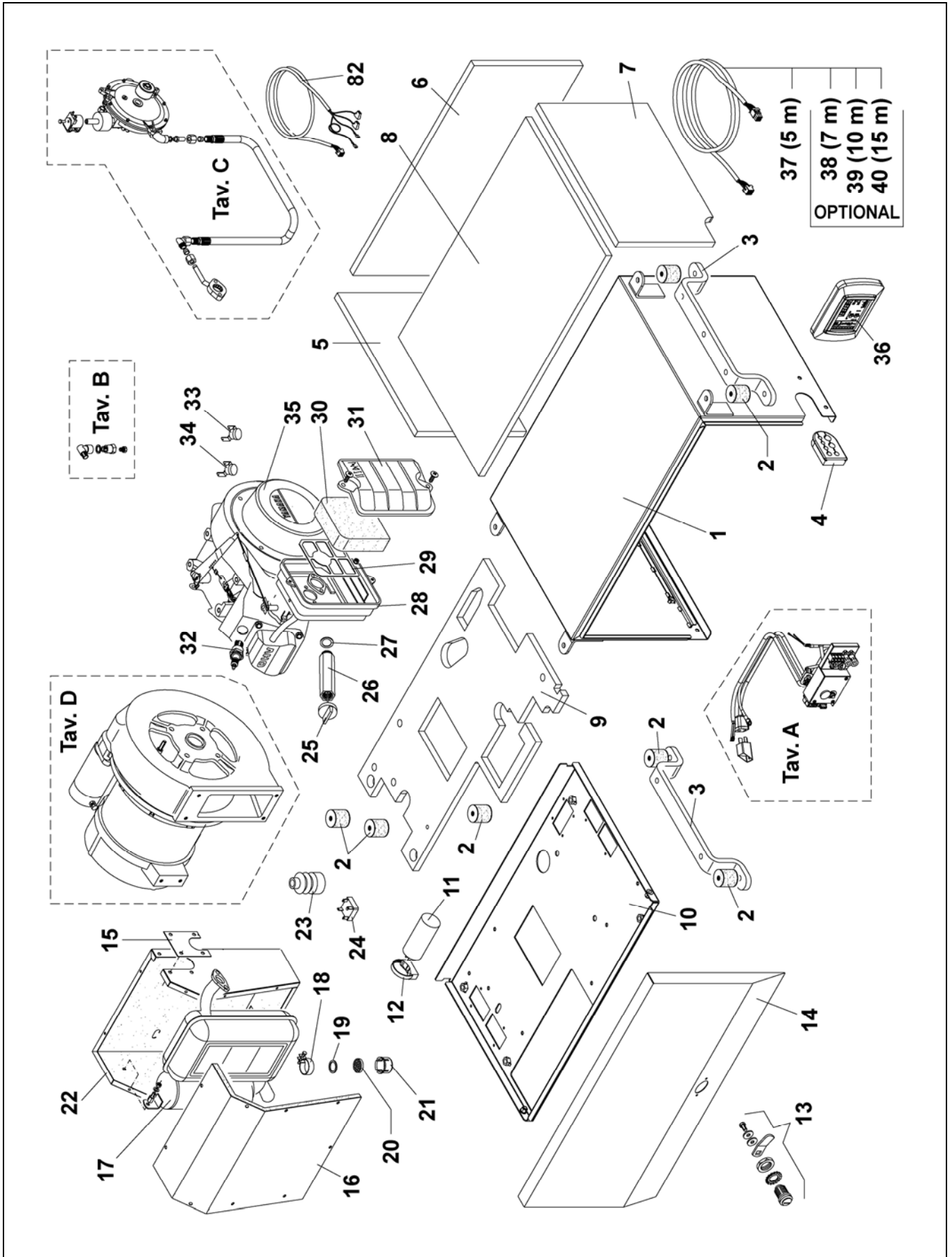


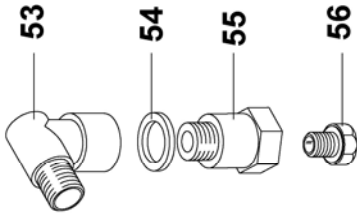


Pos.	Description	Pos.	Description
1	Electronic control panel	14	Starter
2	Electronic control panel connector	15	Ignition coil
3	Startup relay	16	Choke Enabling Thermostat
4	Electronic control board	17	Automatic air electromagnet
5	Gas wiring connector	18	Fuel reserve
6	Rotor	19	Engine temperature thermostat
7	Alternator	20	Low oil level float
8	Stator	21	Startup battery connection terminals
9	Condenser	22	Diode bridge protection fuse
10	Power connection terminal board	23	Pressure reducer
11	Thermal switch	24	GAS solenoid valve
12	Diode bridge	25	GAS Wiring Protection Fuse
13	Alternator Connector	A	Battery charger terminal

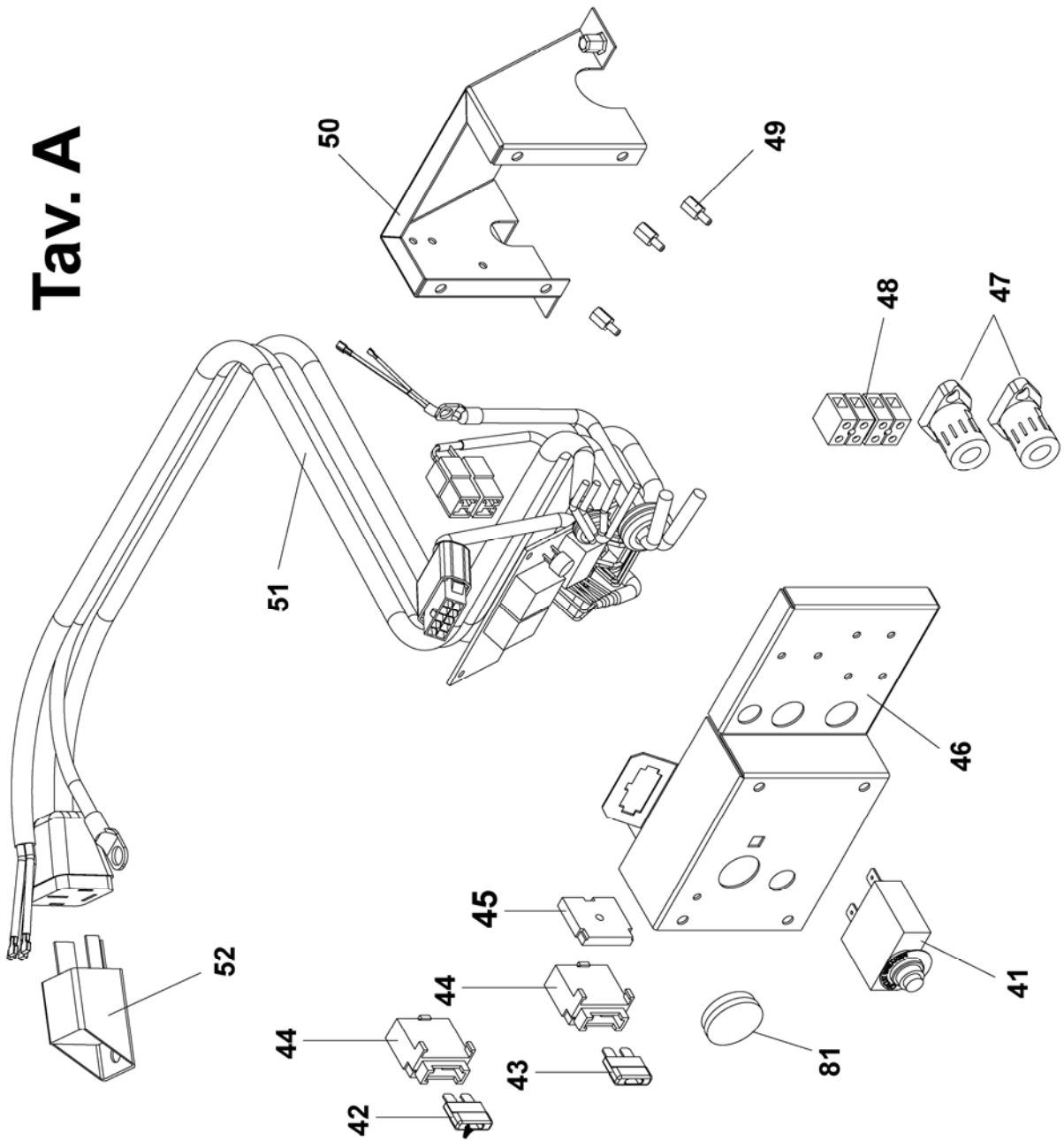
DRAWING FOR SPARE PARTS LIST ENERGY 2500 G



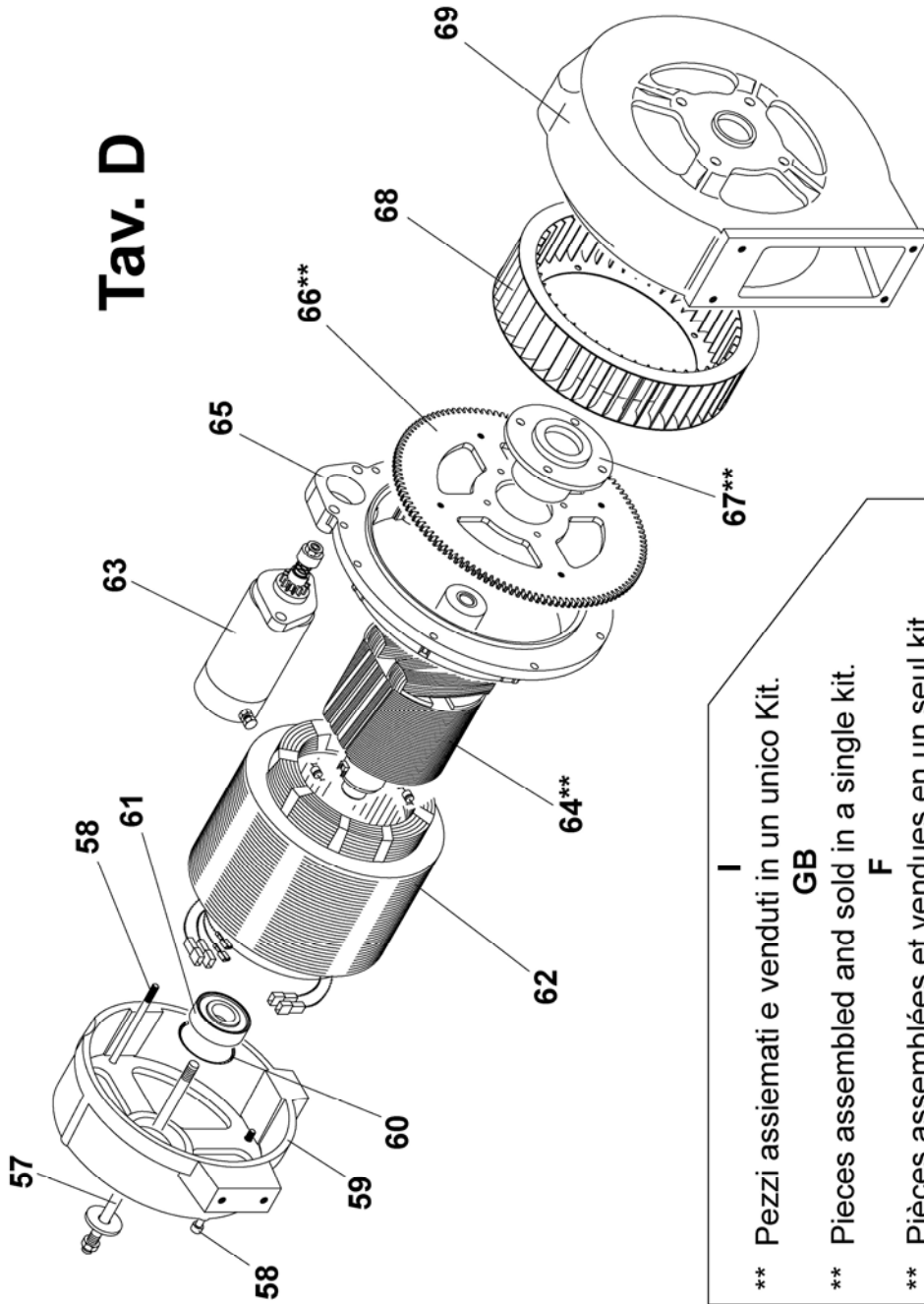
Tav. B



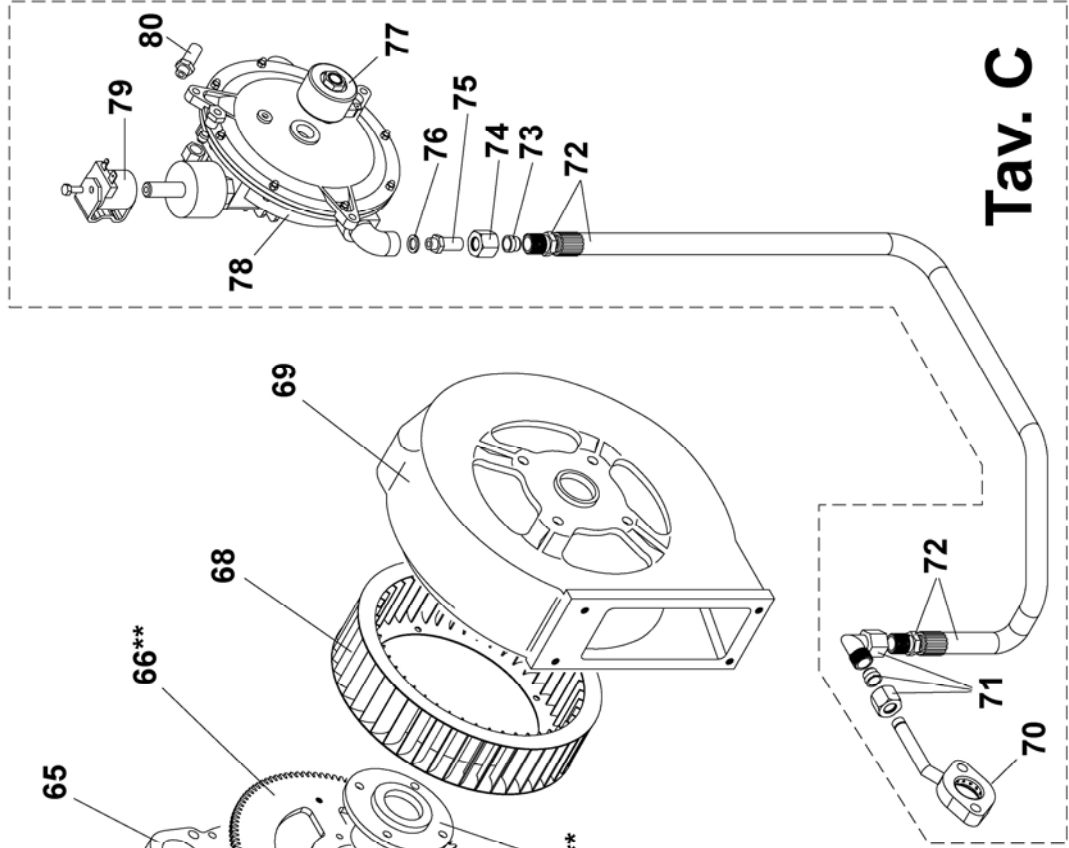
Tav. A



Tav. D



Tav. C



I
GB
F
NL
E
D

** Pezzi assieme e venduti in un unico Kit.
 ** Pieces assembled and sold in a single kit.
 ** Pièces assemblées et vendues en un seul kit.
 ** Gemonteerde en in één set verkochte onderdelen.
 ** Piezas unidas y vendidas en un kit único.
 ** Zusammengesetzte Teile, die nicht einzeln, sondern nur als Kit erhältlich sind.